

# NCT-RB

## CNC Rotary Table with rear mounted motor

NCT-RB Tables have a rear mounted drive motor, especially suited for use on compact machines and where the workspace is limited. High rigidity and excellent thrust force capabilities due to its optimal structure design.



Model		NCT-125RB	NCT-170RB	NCT-200RB	NCT-250RB
Table diameter	(mm)	Ø125	Ø170	Ø200	Ø250
Diameter of "Pilot" bore	(mm)	Ø40 <sup>H7</sup>	Ø50 <sup>H7</sup>	Ø60 <sup>H7</sup>	Ø50 <sup>H7</sup>
Diameter of through hole	(mm)	Ø25	Ø30	Ø40	Ø40
Center height with table top vertical	(mm)	110	135	135	170
Width of T slots	(mm)	12 <sup>H7</sup>	12 <sup>H7</sup>	12 <sup>H7</sup>	12 <sup>H7</sup>
Width of alignment key in mounting base	(mm)	14 <sup>H7</sup>	14 <sup>H7</sup>	18 <sup>H7</sup>	18 <sup>H7</sup>
Clamp operation pressure (Hydraulic)	(bar)	35	35	35	35
Ambient temperature	(°C)	18°~40°			
Minimum input increment	(degree)	0.001°	0.001°	0.001°	0.001°
Gear ratio, Motor to Table Top		1/90	1/90	1/90	1/120
Table speed	(motor 3000 r.p.m)	33.3	33.3	33.3	25
	(motor 4000 r.p.m)	44.4	44.4	44.4	33.3
Servo motor (Optional)	FANUC	α2i	α4i	α4i	α8i
	MITSUBISHI	HF-75T	HF-54T	HF-54T	HF-104S
	SIEMENS	1FK7042	1FK7060	1FK7060	1FK7063
Indexing accuracy	(sec of arc)	60"	20"	20"	15"
Repeatability	(sec of arc)	4"	4"	4"	4"
Clamping torque	(kgf-m)	12	16	23	48
	(N-m)	118	157	225	470
Permissible load (With table clamped)	F  (kgf)	600	800	1000	1400
	FxL  (kgf-m)	15	17	24	50
	FxL  (N-m)	147	167	235	490
Permissible piece part and fixture weight	FxL  (kgf-m)	20	40	65	85
	FxL  (N-m)	196	392	637	833
Permissible piece part and fixture weight	90°  (kg)	50	70	85	100
Net Weight	(kg)	60	85	100	140

\* We reserve the right to make changes arising from constant product development without advance notice.

\* The list of fitting servomotor, please refer to page 61.

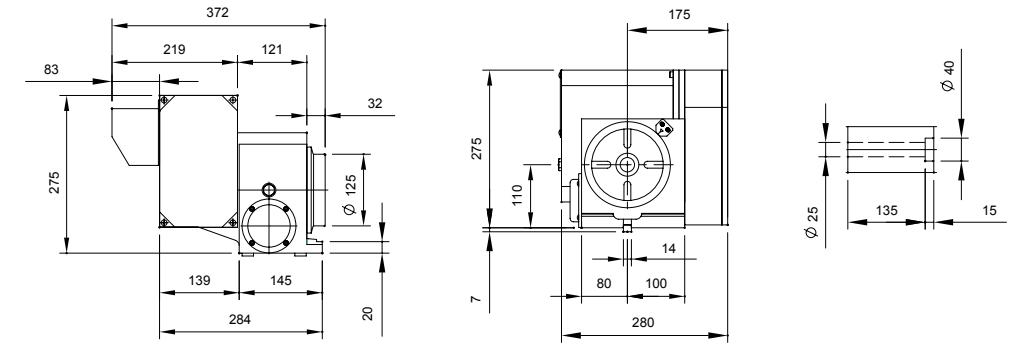
### Standard accessories

Block nuts	Hangers
○	○

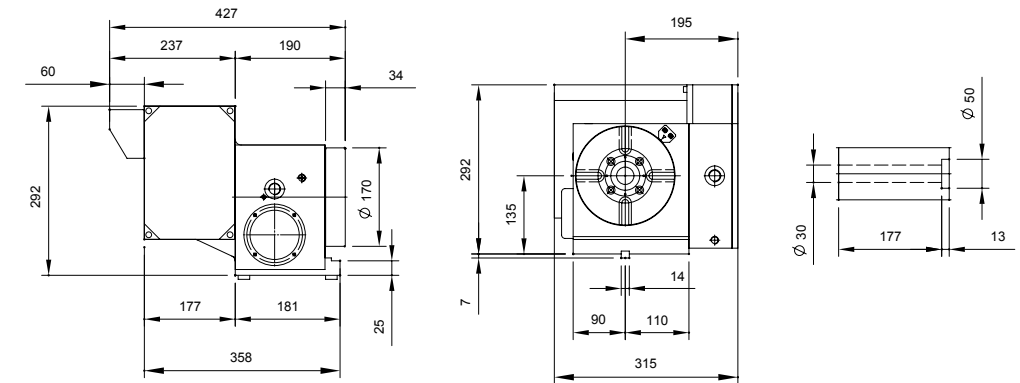
### Optional accessories

DNS controller	Tailstock		3-jaw chuck with sub plate	Encoder	PHC
	Taper	Support			
*(p.54)	*(p.50)	*(p.52)	*(p.60)	*(p.61)	*(p.60)

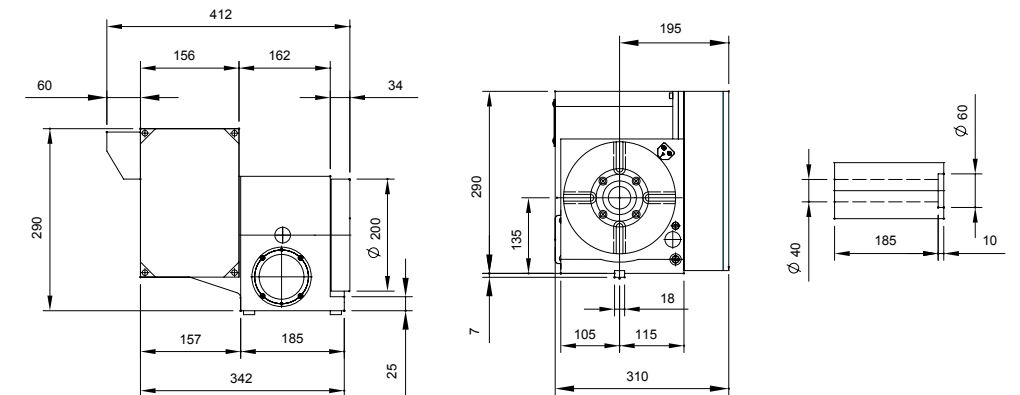
### NCT-125RB



### NCT-170RB



### NCT-200RB



### NCT-250RB

