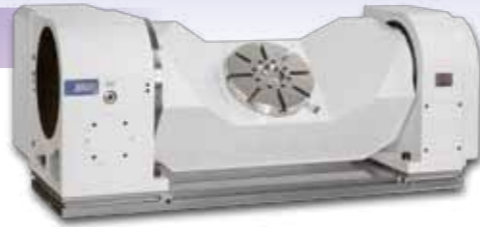


ERT

CNC Rotary Tilting Tables

ERT series of Rotary Tilting Tables enables accurate and productive machining. These tables are designed so that the surface of the table top is on the centerline of the tilting axis, for a greater piece part capacity, easier programming and less interference in the work zone.



Model		ERT-250	ERT-350	ERT-500			
Table diameter	(mm)	Ø250	Ø350	Ø500			
Diameter of "Pilot" bore	(mm)	Ø70 ^{H7}	Ø100 ^{H7}	Ø200 ^{H7}			
Diameter of through hole	(mm)	Ø50	Ø60	Ø170			
Table height at 0°	(mm)	315	390	520			
Width of T slots	(mm)	12 ^{H7}	14 ^{H7}	18 ^{H7}			
Width of alignment key in mounting base	(mm)	14 ^{H7}	18 ^{H7}	18 ^{H7}			
Clamp operation pressure (Hydraulic)	(bar)	35	35	35			
Ambient temperature	(°C)	18°~40°					
Axis		Rotary	Tilting	Rotary	Tilting	Rotary	Tilting
Minimum input increment	(degree)	0.001°	0.001°	0.001°	0.001°	0.001°	0.001°
Gear ratio, Motor to Table Top		1/120	1/180	1/120	1/180	1/180	1/360
Table speed	(motor 3000 r.p.m)	25	16.6	25	16.6	16.6	8.3
Servo motor (Optional)	FANUC	α8i	α8i	α8i	α12i	α12i	α22i
	MITSUBISHI	HF-104S	HF-104S	HF-104S	HF-204S	HF-204S	HF-354S
	SIEMENS	1FK7063	1FK7063	1FK7063	1FK7083	1FK7083	1FK7101
Indexing accuracy	(sec of arc)	15"	45"	15"	45"	15"	90"
Repeatability	(sec of arc)	4"	8"	4"	8"	4"	8"
Tilting range	(Horizontal = 0°)	-110°~+20°		-110°~+20°		-110°~+20°	
Clamping torque	(kgf-m)	82	102	200	200	240	240
	(N-m)	803	1000	1960	1960	2352	2352
Permissible load (With table clamped)	F	(kgf) (N)	1000 9800	1500 14700	2300 22540		
	FxL	(kgf-m) (N-m)	82 804	200 1960	350 3430		
	FxL	(kgf-m) (N-m)	102 1000	200 1960	710 6958		
Permissible piece part and fixture weight	0°	(kg)	120	150	500		
	0~90°	(kg)	70	100	300		
Permissible work moment	WxL	(kgf-m) (N-m)	5 49	15 147	51 500		
	Net Weight	(kg)	900	1200	2000		
Allowable work inertia	$J = \frac{W \cdot D^2}{8}$	(kg-m ²)	0.94	2.30	15.63		

* We reserve the right to make changes arising from constant product development without advance notice.

* The list of fitting servomotor, please refer to page 61.

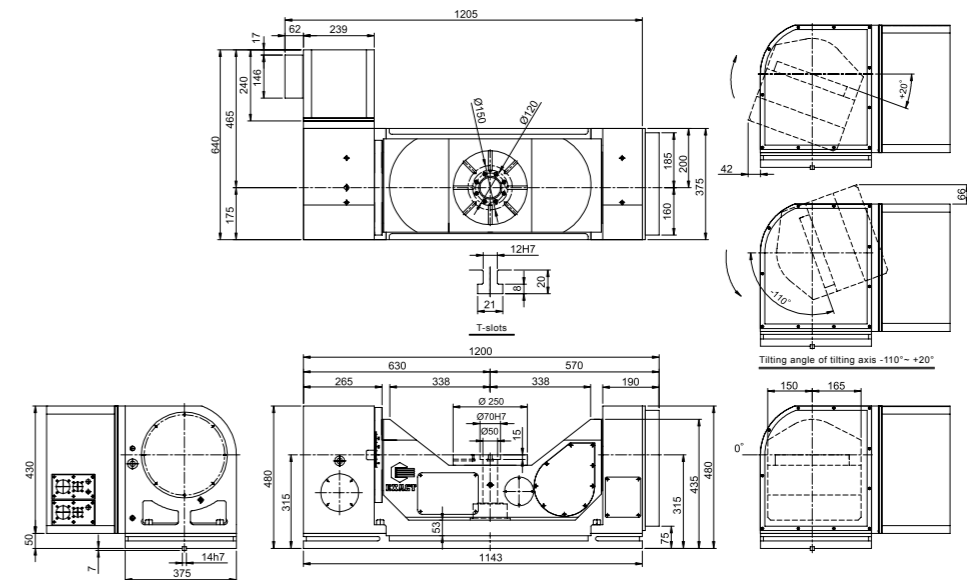
Standard accessories

Block nuts	Hangers
☉	☉

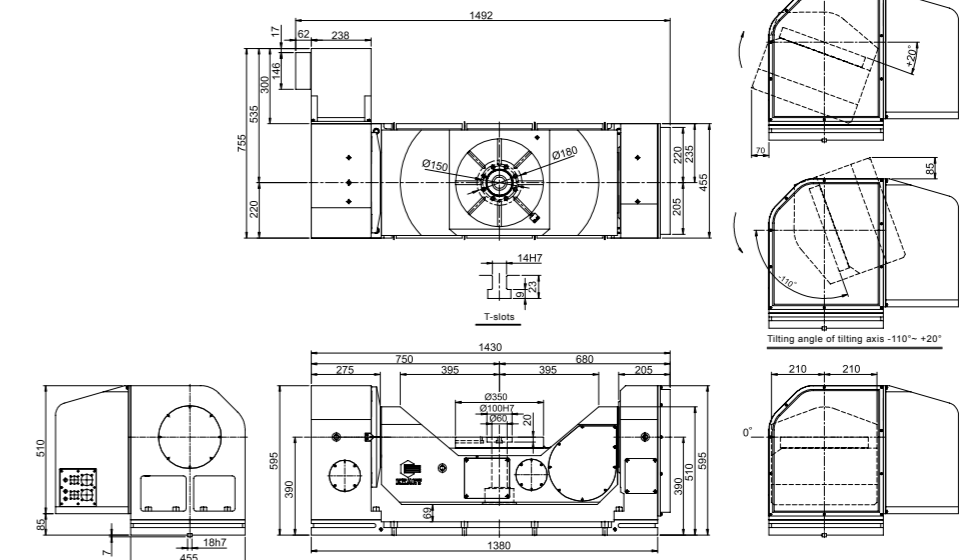
Optional accessories

DNS controller	Tailstock		3-jaw chuck with sub plate	Encoder	PHC x 2
	Taper	Support			
*(p.54)	*(p.50)	*(p.52)	*(p.60)	*(p.61)	*(p.60)

ERT-250



ERT-350



ERT-500

